



EC3664

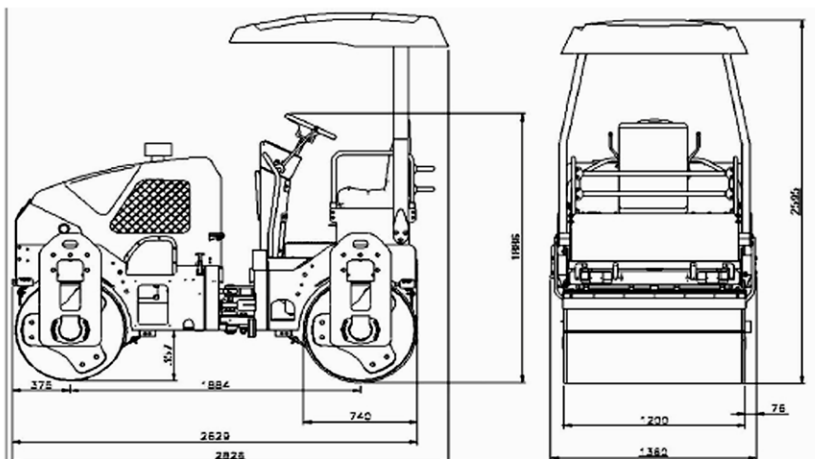
3 TON TANDEM DRUM COMPACTOR ROLLER

Specifications

Technical Data

Engine	KOEL HA 394 , Air cooled , 3-Cylinder meeting Bharat Stage -III CEV norms 47HP @ 2300 rpm
Max. Operating Weight	3000 Kgs
Static Linear Load	13.0 Front / 12.0 Rear
Working Speed	0-4 km/hr
Travel Speed	0-12 Km / hr
Vibration System	Frequency (high / Low) - 55 Hz/ 64 Hz Nominal amplitude - 0.6 mm
Fuel Tank Capacity	50 Ltrs
Hydraulic Tank Capacity	40 Ltrs
Water Tank Capacity	200 Ltrs (Front 70 Ltrs / Rear 130 Ltrs)
Gradeability with vibration	35%
Gradeability without vibration	40%

EC3664 Dimensions



Escorts EC3664 Tandem Roller
Open Cab Model



www.waha.co.za

Showroom: 578A 16th Road, Midrand, Jhb • Office: 011 574 5728
Will - 076 037 9516 • Alec - 060 998 3798 • Darren - 083 250 8481